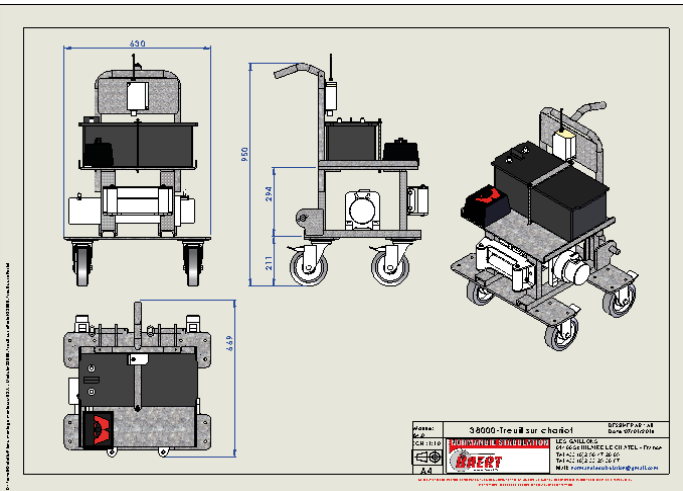




## LAIRAGE WINCH

Winching equipment for euthanized animals in lairage, 4t towing capacity.  
Sling securing of the trolley on lairage equipment (stanchion foot, individual boxes or lashing rings sealed to the wall)

Winch is supplied with 1 pulley and clamping shackles.



**Technical Infos**

**Dimensions :**  
700 x 700 x Ht 950

**Weight :**  
100 kg

**Power :**  
Batterie 12 v

**Steering :**  
Remote control

**Waterproof rate:**  
IP 68

**Anti-corrosion protection:**  
408 HBS

**Cable :**  
Ø9,5 mm / Lg 24 m /  
Omnidirectionnel

**Capacity :**  
4 t



Warn Zeon 10 /12v winch

Non-contratual photos

Welded Construction - Steel Quality S235 - Hot Galvanized Finish according to EN ISO 1461 2009