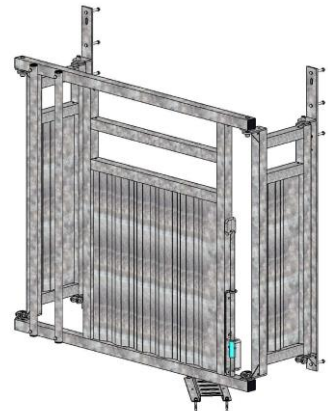
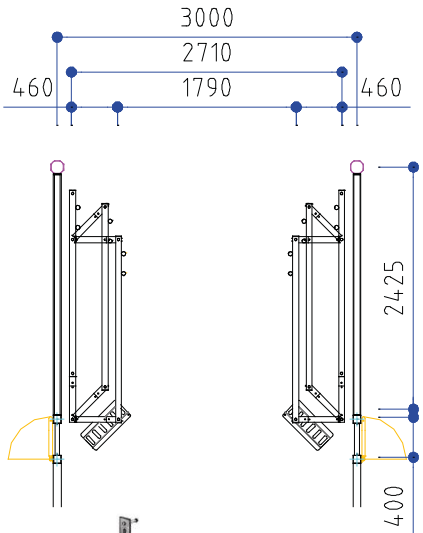




DOCK PARALLELOGRAM

The dock parallelogram is a set of fence which allows the adjustment of the side panels of the unloading / loading dock to the width of the truck deck.



-  **PRODUCTIVITY**
-  **SAFETY**
-  **ANIMAL WELFARE**

Non-contractual photos

Welded Construction - Steel Quality S235 - Hot Galvanized Finish according to EN ISO 1461 2009