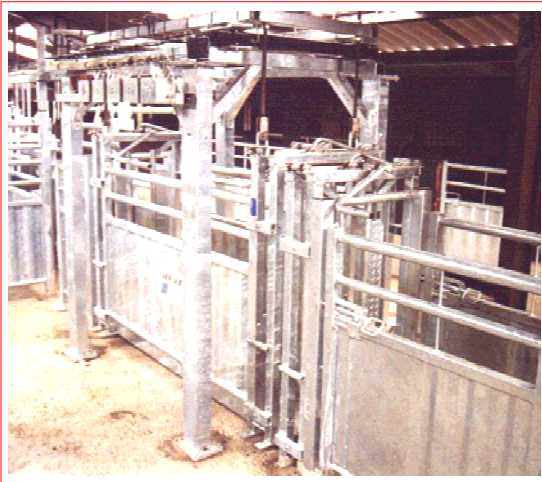


GRASSER SCALES AND SORTER



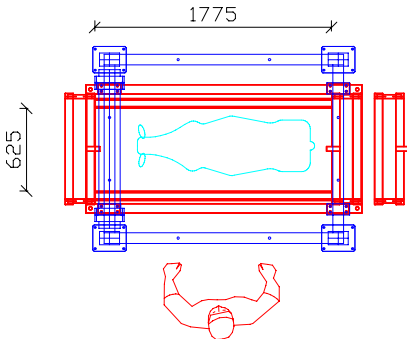
Weighing for class III commercial transactions

The grasser weighing cage is a section of the suspended corridor.

It is fitted with manual flash closing gates at the back and the front.

A third gate can be used to isolate the cage to prevent its operation by animals awaiting weighing.

Computerisable weighing is available for
CLASS III COMMERCIAL TRANSACTIONS
or INTERNAL INSPECTION



Sorting of grassers can be done directly at the exit from the crush or from the weighing operation. The operator selects the destination cubicle or corridor, either by pneumatic remote control or by manual control (according to the layout).



SPECIALISED
AGRO-EQUIPEMENT